



SERIES825

Swivel castor, Ø 75 mm

Article No.: 2.K570.N7G0

GTIN / EAN: 4251984306442

CTN: 83022000

Double swivel castor, Housing made of polyamide, swivel bearing with double ball bearing, colour: RAL 7004 - Signal grey

Locking device with wheel lock, centrally operated

Wheel with ball bearing and non-marking grey polyurethane tyres (TPU) with thread guard

Connection via mounting plate 70x55mm

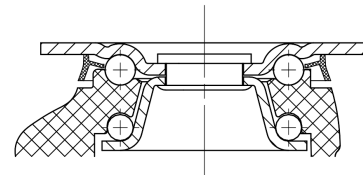
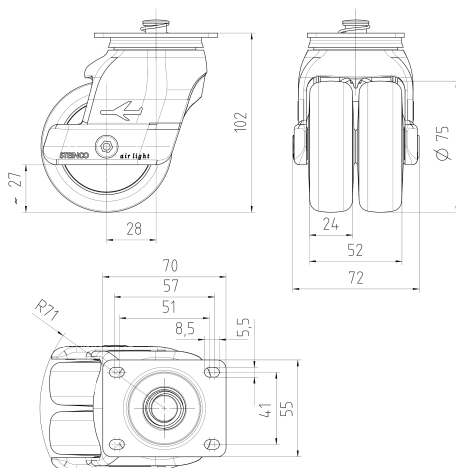
Special functions: cleaning by wipe disinfection possible without restrictions



Image similar to the original

Further information of this product are available at www.steinco.com/catalog/2.K570.N7G0

Mounting height (mm)	102	Load Capacity (dynamic)	90 kg
Offset (mm)	28	Load Capacity (static)	270 kg
Swivel radius (mm)	72	Temperature Range	from -10 °C to 40 °C
Locking device	Wheel lock	Standards	DIN EN 12530
Additional information	Actuation stroke 3mm		
Wheel Ø (mm)	75		
Wheel width (mm)	24		
Wheel hardness	80 shore A		
Fork colour	RAL 7004 - Signal grey		
Colour of wheel hub/cover	RAL 7004 - Signal grey		
Attachment system	Mounting plate		
Fitting dimension	Mounting plate 70x55mm		
Weight	477 g		



Copyright by STEINCO Paul vom Stein GmbH, 2020 ©